

# PULSE-REVERSE POWER SUPPLY



plating electronic  
we care for power

## POWER PULSE pe861DA-GD

**Output power:** max. 6360 Watts  
**Effective - and DC-current:** max. 318 A  
**Pulse current:** max. 720 A  
**Effective voltage:** max. 500 V

**Typical applications:**  
 PCB lines  
 Pulse plating  
 Reel-to-reel plating



POWER PULSE pe861DA, front view



POWER PULSE pe861DA (with single-output), back view

EMV: EN50011 class A, group B ; EN61000-6-4 and EN61000-6-2;  
 CE-conformity low voltage guide line: EN50178

Example:

Type	pe861DA-20-159-360-D	other sizes on request
Effective current / DC	2 x 159 A	
Forward pulse	2 x 360 A	
Reverse pulse	2 x 360 A	
Effective voltage	2 x 20 V	
Mains supply	3 x 400 V AC	
Cooling	air cooled via three fans	
Cooling air consumption	510m <sup>3</sup> /h	
Dimensions	625 x 332 x 630 (W x H x D)	
Weight	approx. 48 kg	

### Characteristic values

- Switch mode technology
- Single or Dual output available
- Linearity inaccuracy < 1 % (related to nominal DC value)
- Ripple less than < 1 % (related to nominal DC value)
- Complex waveforms
- Constant current regulation (voltage regulation on request)
- RS485-interface (optional: PROFIBUS or TCP/IP)
- MMC/SD card reader for software update, import / export of device configuration, set values and storing of bus-logging data
- Fast rise and fall times (rectangular waveforms)
- Permanent short circuit and open circuit proof
- Microprocessor controlled regulation
- Synchronization function
- Programmable relay outputs / Digital inputs, e.g. for Extern-ON
- Mains supply: standard 400 V/3~ +/- 10 % / 50-60 Hz (other voltages on request)
- Max. effective output power: 1x 6360 Watts or 2x 3180 Watts

### Cooling

- Air cooled, air consumption max. 510m<sup>3</sup>/h
- Ambient temperature 35°C (other on request)
- Over temperature protected

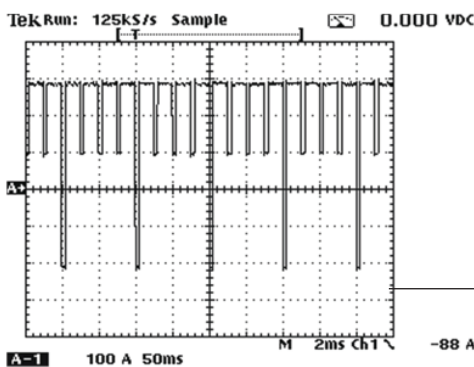
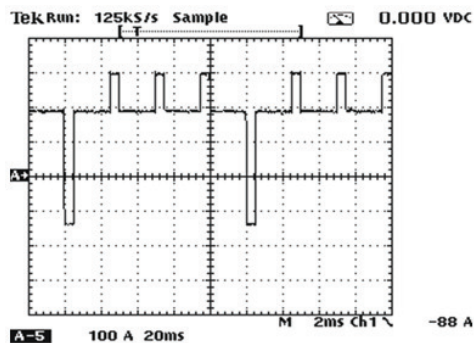
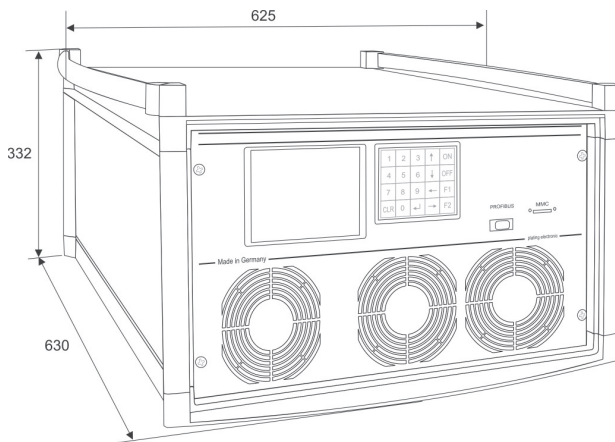
### Design

- Compact desktop unit; protection grade IP21
- Casing powder coated; colour RAL 9018 (Standard)
- Aluminium front panel with polycarbonate film
- DC/Pulse connection in back panel (high voltage clamps)

plating electronic GmbH | 79350 Sexau | Fon +49 7641 93500-0 | www.plating.de  
 Rheinstr. 4 | Germany | Fax +49 7641 93500-999 | info@plating.de

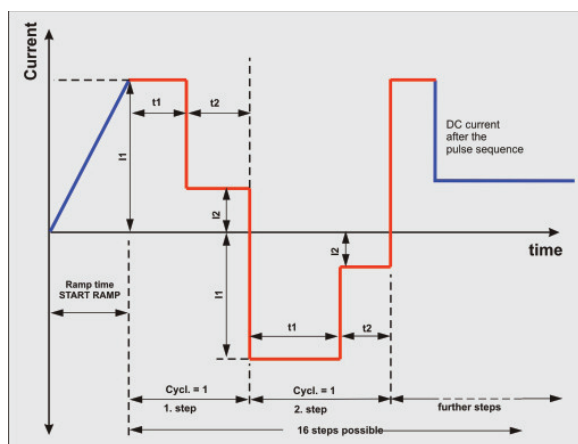


Dimensions (W x H x D): 625 x 332 x 630 mm

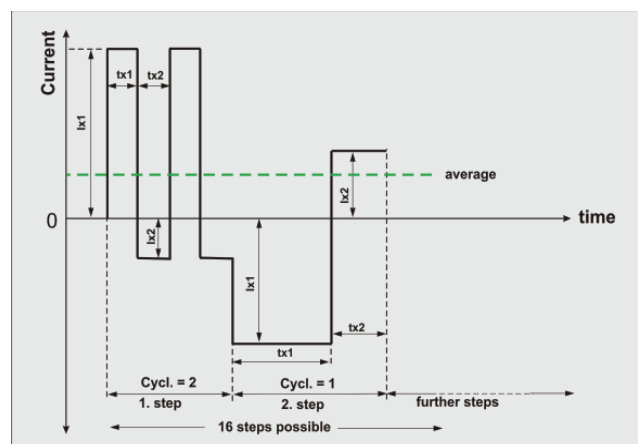


Drawings:

Examples for waveforms that can be generated with this pulse reverse power supply.



Examples: pulse shapes, schematic display



Example 2: with average value

### Operation / programming

Large illuminated 5,7" graphic display

5 x 4 keypad for easy handling and navigation

Clear and user friendly menu navigation via well structured pull down menus

Easy generation of complex waveforms with up to 16 individual steps with 2 individual amplitudes (Ix1 and Ix2 as well as tx1 and tx2), that can be positive or negative

2 programmable output relays

Ah-totalizer, dosage counter, timer

Programmable START ramp

Parameters individually adjustable even during operation

### Display

Clear display of actual values

Graphic view of the set value shape, actual values shown in oscilloscope-mode

Status, warning and error indication

### Resolution

0 up to +/- xx.xA for Ix1 and Ix2; resolution: 100mA

0 up to 9 999.9mSec for tx1 and tx2; resolution: 0,1mSec

Cycles (repeating per step): 1 - 99

Technical equipment, design and features: subject to change! For further information please contact plating electronic GmbH.