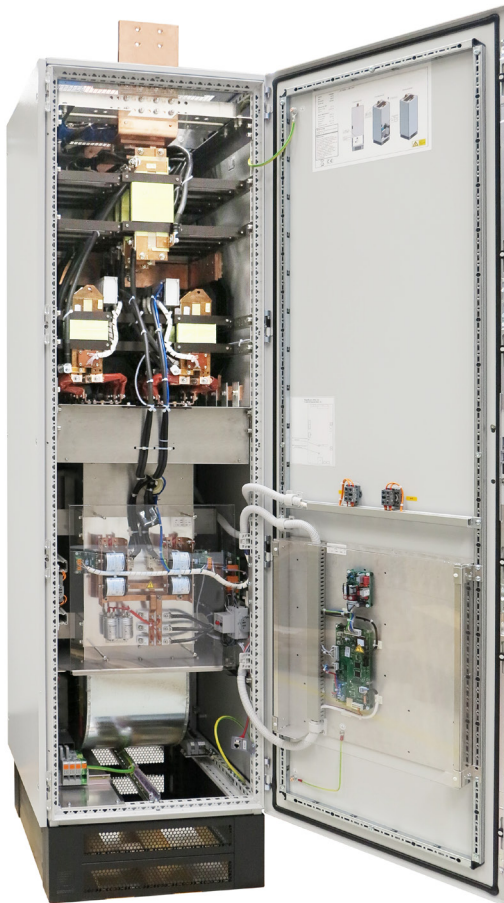


<b>Output power:</b>	<b>max.</b>	<b>100 kW</b>
<b>DC current:</b>	<b>max.</b>	<b>5000 A (at 20 V)</b>
<b>DC voltage:</b>	<b>max.</b>	<b>1000 V (at 100 A)</b>

**Typical applications:**  
Electroplating  
Testing systems

**Surface treatment**  
Anodizing  
Water treatment

Air cooled DC power supply in switch mode technology, designed for use in the electroplating industry, in compact design.



POWER STATION pe5110, front view

Example with DC output 3000 A, and optional ON / OFF buttons (main switch) in front door

### Characteristic values

Switch mode technology, digital regulation (DSP)

Constant current or constant voltage regulation

Regulation range for current and voltage: 2 - 100 %

Linearity inaccuracy:

- for amperage	< 1 %
- for voltage	< 0.5 %

Ripple: less than < 1 %, within the frequency range of 0 - 300 Hz

Efficiency: up to 92 %

Powerfactor: 0.95

Duty cycle: 100 %

Soft start function

Permanent short circuit proof

Installation altitude: max. 1000 m above sea level

Mains supply: 380V/3; 400V/3; 460V/3; +/- 10 %; 50-60 Hz (other voltages on request)

### Cooling

Air cooled

Cooling air consumption: max. 2000 m<sup>3</sup>/h (depending on output power)

Cooling air inlet: cabinet plinth (front and back side)

Cooling air outlet: cabinet top plate

Ambient temperature: 35°C (other on request)

Overtemperature-protected

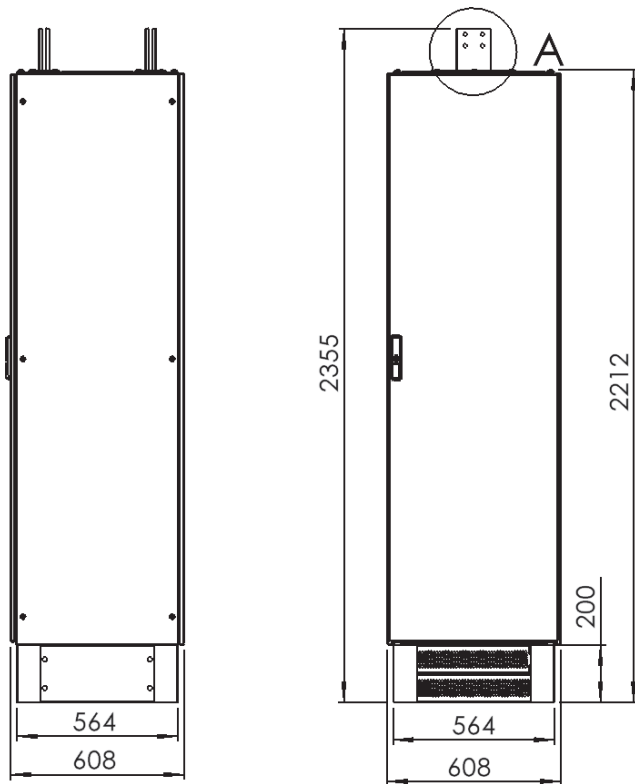
Relative air humidity: 85 %, non-condensing

### Options:

- NH-load separator
- Main switch via ON / OFF buttons
- Performance Level d
- Sense input
- Blocking input
- Pulse option ON / Off

Values	Standard sizes - DC output <sup>1</sup>						other sizes on request			
	5000 A						3500 A	3000 A	2500 A	100 A
DC output current										
DC output voltage	6 V	10 V	12 V	15 V	20 V	25 V	30 V	40 V	1000 V	

### Standard dimensions



### Control:

peRB interface (RJ45 connector)

The used data telegram is predefined by plating electronic and can only be used in combination with:

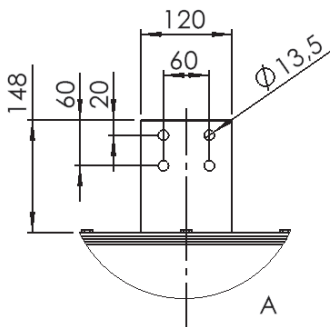
- external control unit
- common fieldbus interfaces
- interface converter peRB to analogue

### Design

Compact Rittal cabinet; protecting grade IP20

Powder coated, RAL 7035

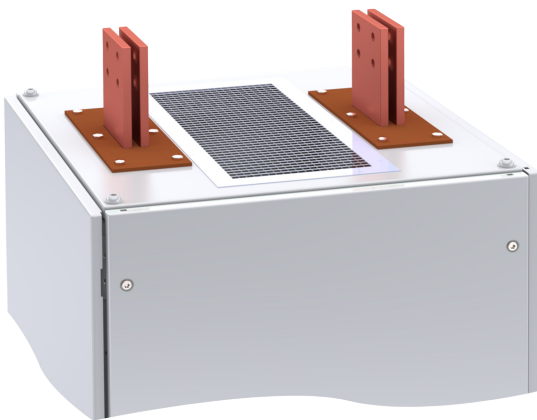
Weight: max. 550kg



### DC output:

For voltage up to 50 V via copper rails on the cabinet top for a flexible design of the continuing rails.

- Voltages >50 V with screwed-on protective box or roof cover



Picture: Cooling air outlet and DC output bus bars (example: 5000 A) in the top of the cabinet

Technical equipment, design and features: subject to change! For further information please contact plating electronic GmbH.